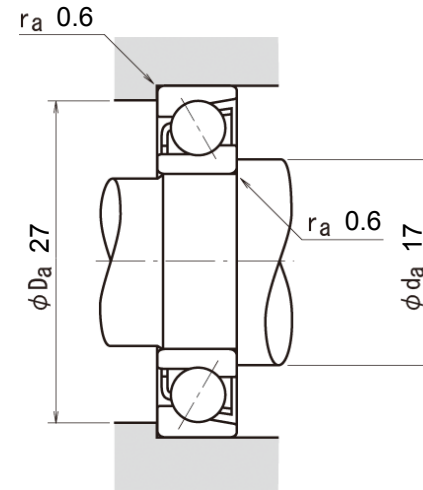
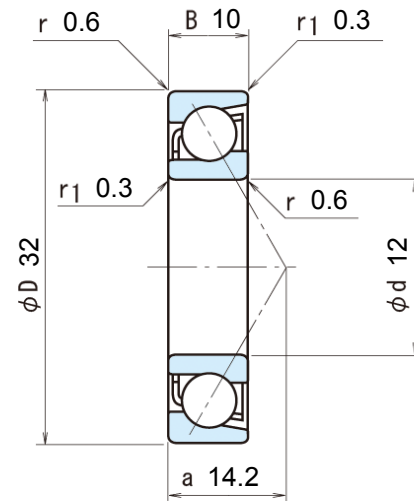


Boundary Dimensions (mm)					Basic Load Ratings (kN)		Limiting Speeds (min ⁻¹)		Bearing Numbers	NSKHPS
<i>d</i>	<i>D</i>	<i>B</i>	<i>r</i> min.	<i>r1</i> min.	<i>C_r</i>	<i>C_{0r}</i>	Grease	Oil		
12	32	10	0.6	0.3	7.45	3.75	15000	20000	7201BW	



Factor	Mass (kg) approx.
f_0	approx.
-	0.038